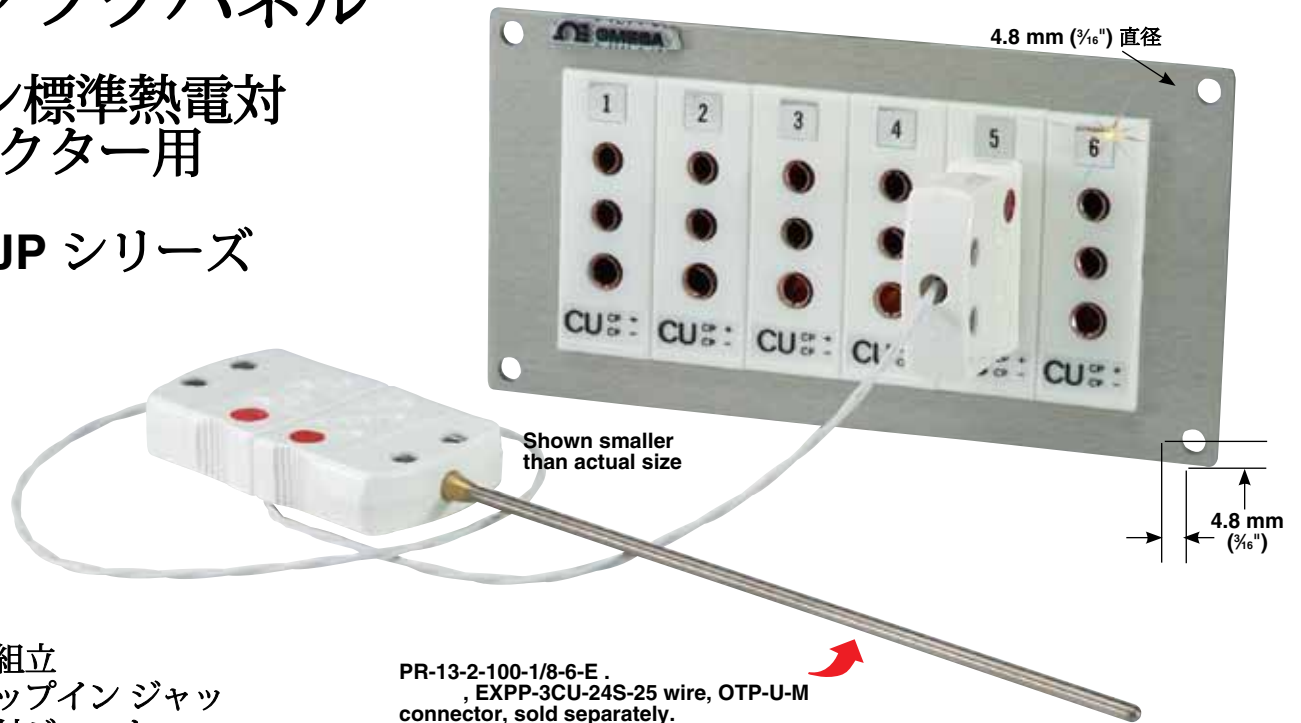


ジャックパネル

3ピン標準熱電対コネクター用

TJP シリーズ



- ✓ 完全組立
- ✓ スナップイン ジャック
- ✓ 番号付ジャック
- ✓ 容易な取付
- ✓ 便利
- ✓ 2.4 mm (3/32") 厚アルマイトパネル

PR-13-2-100-1/8-6-E , EXPP-3CU-24S-25 wire, OTP-U-M connector, sold separately.

OMEGA® jack panels are for use with RTD's, thermistors and shielded thermocouples. Using the TJP snap-in panel jacks, the same versatility given to thermocouples is now possible for sensors requiring 3 lead wires.

The snap-in jacks have 3 female terminals that will accept any 3 prong OTP male connector. They can accommodate wires up to 14 AWG and are made from alloys to match ANSI thermocouple grade calibrations.

The TJP panel jacks are made of rugged, high impact plastic, and have a maximum service temperature of 205°C (400°F). They are mounted in 2.4 mm (3/32") panels of anodized aluminum.

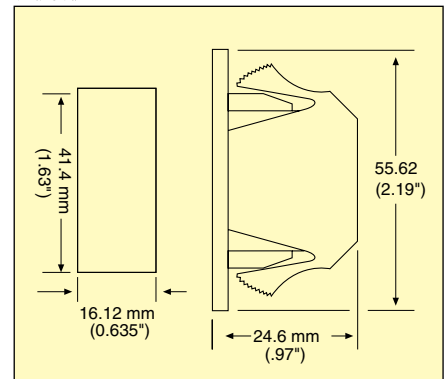
Note: Male plugs can be supplied in place of the female jacks on all OMEGA panels, if desired.

Note: All OMEGA TJP jack panels are assembled at no extra cost!

穴間隔:

3/16" on both sides,
3/16" diameter hole for #8 screw

長方形のカットアウトにマウント



ご注文: ANSIカラーコード。IECカラーコードについてはお問い合わせください。

列の数	寸法(公称) mm (インチ)	1 列 76 H (3")	2 列 133 H (5 1/4")	3 列 203 H (8")	4 列 254 H (10")
6 146 mm L (5 3/4")	型式番号	TJP1-06-[*]	TJP2-12-[*]	TJP3-18-[*]	TJP4-24-[*]
12 260 mm L (10 1/4")	型式番号	TJP1-12-[*]	TJP2-24-[*]	TJP3-36-[*]	TJP4-48-[*]
18 375 mm L (14 3/4")	型式番号	TJP1-18-[*]	TJP2-36-[*]	TJP3-54-[*]	TJP4-72-[*]

* J, K, T, E, N, あるいは U 熱電対タイプを挿入してください
Minimum order required for non-standard.

Ordering Example: TJP2-36-K, Double row color-coded jack panel with Type K connector.

販売: 株式会社 パシフィック テクノロジー 〒273-0005千葉県船橋市本町6-18-5アサヒ船橋ビル602

TEL: 047-426-1650 FAX: 047-426-1652 E-mail: sales@pac-tech.com http://www.pac-tech.com

ご注意: 上記の仕様等をご通知無く改定されます。2017.2.24